

Features

- Operating voltage: 2.2V~5.5V
- Ultra low standby current: 1.5 μ A at 3V
- Auto-calibration
- High reliability touch detections
- High PSRR
- Output type: Level-hold or Toggle
- One-key or Any-key Wake-up Mode
- Wake-up Mode set by pins or serial command
- Open drain NMOS output
- Key status monitored using pins or serial bus

General Description

The BS801B/02B/04B/06B/08B are a range of 1 to 8 key touch key devices which can detect human body contact using external touch pads. The high level of device integration enable applications to be implemented with a minimum number of external components.

The BS804B and BS808B are equipped with a One-line serial interface to allow easy communication with an external MCU for device setup and for touch pin monitoring purposes.

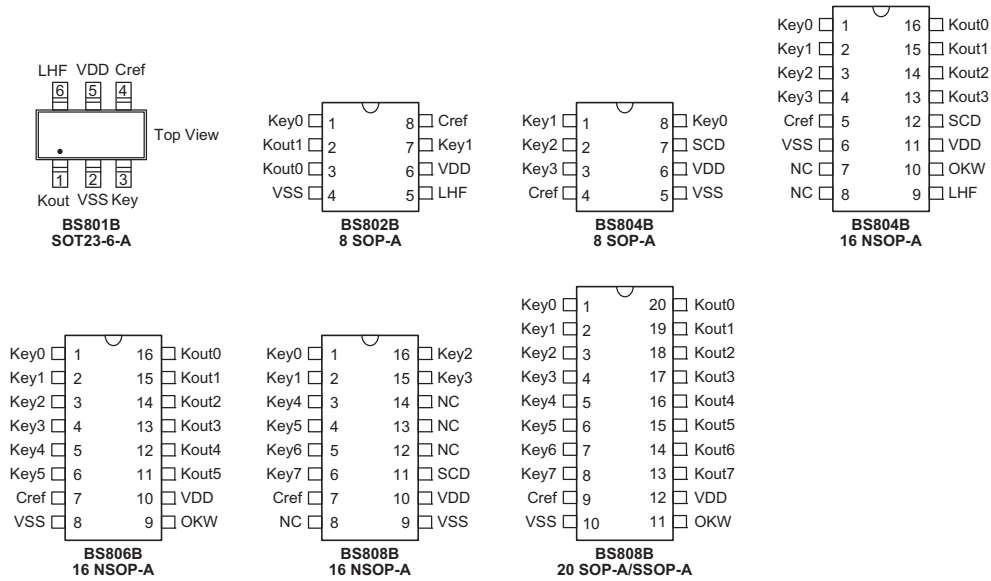
Special internal circuitry is also employed to ensure excellent power noise rejection to reduce the possibility of false detections, increasing the touch switch application reliability under adverse environmental conditions.

With auto-calibration, low standby current and a choice of wake-up features, this range of touch key devices provides a simple and effective means of implementing touch switches in a wide variety of applications.

Selection Table

Part. No.	Touch Keys	Standby Current at 3V		Key Output Type	Package	Serial Interface	Auto Calibration
		One-Key Wake-up	Any-key Wake-up				
BS801B	1-Key	1.5 μ A	—	Level-Hold or Toggle	SOT23-6	—	√
BS802B	2-Key	—	2.0 μ A	Level-Hold or Toggle	8SOP	—	
BS804B	4-Key	1.5 μ A	3.0 μ A	—	8SOP	√	
				Level-Hold or Toggle	16NSOP		
BS806B	6-Key	1.5 μ A	4.0 μ A	Level-Hold	16NSOP	—	
BS808B	8-Key	1.5 μ A	5.0 μ A	—	16NSOP	√	
				Level-Hold	20SOP/SSOP	—	

Pin Assignment



Pin Description

The pins in the following table are common to all devices.

Pin Name	I/O	Description
Key0~Keyn	Input	Touch key n input. These pins are connected to the external touch key.
Kout0~Koutn	Output	Touch key n output pin.
Cref	Input	Touch key reference capacitor input - value range of 0pF to 10pF - higher capacitance values result in higher sensitivities.
VSS	—	Negative power supply, ground
VDD	—	Positive power supply

The following table shows device specific pins.

Pin Name	I/O	Device	Description
OKW	Input	BS804B BS806B BS808B	Selects One-key wake-up or Any-key wake-up. Pin condition is read during power-up. The logic status of this pin must not be changed after power-on. After power-on this pin's function can be overridden by a serial command on relevant devices. Pin connected to an internal pull-high resistor. Internal circuitry ensures that this pull high resistor will not consume current even if the input is low. Open: One-key wake-up using key0 only Low: Any-Key wake-up
SCD	Input/ Output	BS804B BS808B	Serial bus pin used to communicate with an external MCU. The external MCU can read the BS804B or BS808B touch key status and also send commands to the device via this pin.
LHF	Input	BS801B BS802B BS804B	Selects Key Output Type. Pin condition is read during power-up. The logic status of this pin must not be changed after power-on. After power-on this pin's function can be overridden by a serial command on relevant devices. Pin connected to an internal pull-high resistor. Internal circuitry ensures that this pull high resistor will not consume current even if the input is low. Open: Level-Hold output Low: Toggle output

Note: It is important that the logic level of the OKW and LHF pins do not change state after power-on.

Absolute Maximum Ratings

Supply Voltage	$V_{SS}-0.3V$ to $V_{SS}+6.0V$	Storage Temperature	$-50^{\circ}C$ to $125^{\circ}C$
Input Voltage	$V_{SS}-0.3V$ to $V_{DD}+0.3V$	Operating Temperature	$-40^{\circ}C$ to $85^{\circ}C$
I_{OL} Total	80mA	I_{OH} Total	-80mA
Total Power Dissipation	500mW		

Note: These are stress ratings only. Stresses exceeding the range specified under "Absolute Maximum Ratings" may cause substantial damage to the device. Functional operation of this device at other conditions beyond those listed in the specification is not implied and prolonged exposure to extreme conditions may affect device reliability.

D.C. Characteristics
BS801B
 $T_a=25^{\circ}C$

Symbol	Parameter	Test Conditions		Min.	Typ.	Max.	Unit
		V_{DD}	Conditions				
V_{DD}	Operating Voltage	—	—	2.2	—	5.5	V
I_{STB}	Standby Current	3V	No load	—	1.5	2.5	μA
I_{DD}	Operating Current	3V	No load	—	3	6	μA
V_{IH}	Input High Voltage	—	—	$0.7V_{DD}$	—	V_{DD}	V
V_{IL}	Input Low Voltage	—	—	0	—	$0.3V_{DD}$	V
I_{OL}	Sink Current	3V	$V_{OL}=0.1V_{DD}$	4	8	—	mA
R_{PH}	Pull-high Resistance	3V	—	20	60	100	$k\Omega$

BS802B
 $T_a=25^{\circ}C$

Symbol	Parameter	Test Conditions		Min.	Typ.	Max.	Unit
		V_{DD}	Conditions				
V_{DD}	Operating Voltage	—	—	2.2	—	5.5	V
I_{STB}	Standby Current, Any Key Wake-up	3V	No load	—	2	3	μA
I_{DD}	Operating Current	3V	No load	—	5	10	μA
V_{IH}	Input High Voltage	—	—	$0.7V_{DD}$	—	V_{DD}	V
V_{IL}	Input Low Voltage	—	—	0	—	$0.3V_{DD}$	V
I_{OL}	Sink Current	3V	$V_{OL}=0.1V_{DD}$	4	8	—	mA
R_{PH}	Pull-high Resistance	3V	—	20	60	100	$k\Omega$

BS804B

Ta=25°C

Symbol	Parameter	Test Conditions		Min.	Typ.	Max.	Unit
		V _{DD}	Conditions				
V _{DD}	Operating Voltage	—	—	2.2	—	5.5	V
I _{STB1}	Standby Current - One-key Wake-up	3V	No load	—	1.5	2.5	μA
I _{STB2}	Standby Current - Any-Key Wake-up	3V	No load	—	3	5	μA
I _{DD}	Operating Current	3V	No load	—	8	16	μA
V _{IH}	Input High Voltage	—	—	0.7V _{DD}	—	V _{DD}	V
V _{IL}	Input Low Voltage	—	—	0	—	0.3V _{DD}	V
I _{OL}	Sink Current	3V	V _{OL} =0.1V _{DD}	4	8	—	mA
R _{PH}	Pull-high Resistance	3V	—	20	60	100	kΩ

BS806B

Ta=25°C

Symbol	Parameter	Test Conditions		Min.	Typ.	Max.	Unit
		V _{DD}	Conditions				
V _{DD}	Operating Voltage	—	—	2.2	—	5.5	V
I _{STB1}	Standby Current - One-key Wake-up	3V	No load	—	1.5	2.5	μA
I _{STB2}	Standby Current - Any-Key Wake-up	3V	No load	—	4.0	6.5	μA
I _{DD}	Operating Current	3V	No load	—	14	28	μA
V _{IH}	Input High Voltage	—	—	0.7V _{DD}	—	V _{DD}	V
V _{IL}	Input Low Voltage	—	—	0	—	0.3V _{DD}	V
I _{OL}	Sink Current	3V	V _{OL} =0.1V _{DD}	4	8	—	mA
R _{PH}	Pull-high Resistance	3V	—	20	60	100	kΩ

BS808B

Ta=25°C

Symbol	Parameter	Test Conditions		Min.	Typ.	Max.	Unit
		V _{DD}	Conditions				
V _{DD}	Operating Voltage	—	—	2.2	—	5.5	V
I _{STB1}	Standby Current - One-key Wake-up	3V	No load	—	1.5	2.5	μA
I _{STB2}	Standby Current - Any-Key Wake-up	3V	No load	—	5	8	μA
I _{DD}	Operating Current	3V	No load	—	18	36	μA
V _{IH}	Input High Voltage	—	—	0.7V _{DD}	—	V _{DD}	V
V _{IL}	Input Low Voltage	—	—	0	—	0.3V _{DD}	V
I _{OL}	Sink Current	3V	V _{OL} =0.1V _{DD}	4	8	—	mA
R _{PH}	Pull-high Resistance	3V	—	20	60	100	kΩ

A.C. Characteristics

Ta=25°C

Symbol	Parameter	Test Conditions		Min.	Typ.	Max.	Unit
		V _{DD}	Conditions				
f _{SCD}	SCD Clock	3V	—	10.4	13.0	15.6	kHz
f _{KRT1}	Key Response Time in Normal Mode	3V	—	75	100	125	ms
t _{KRT2}	Key Response Time in Standby Mode	3V	—	300	400	500	ms
t _{KH}	Maximum Key Hold Time	3V	—	30	40	50	s
t _{CAL1}	Auto-Calibration Period - Normal Mode	3V	—	1.8	2.5	3.2	s
t _{CAL2}	Auto-Calibration Period - Standby Mode	3V	—	7.5	10.0	12.5	s

Functional Description
Introduction

This range of BS80xB touch key devices offer an easy and reliable means of implementing touch switch functions in a range of applications. A single external capacitor is the only external component required for most applications while a single line serial bus offers convenient communication with an external MCU.

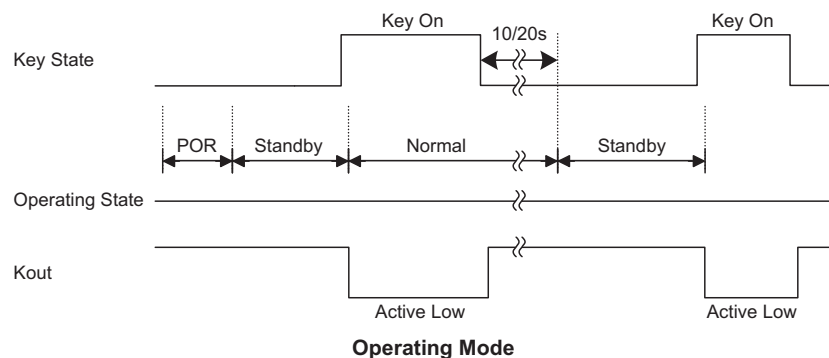
Device Operation Modes

All devices have two modes of operation, the Standby Mode and the Normal Mode. After the device is powered up it will automatically enter the Standby Mode to conserve power. The BS801B and BS802B devices can then be woken up by touching any of their Key_n pins. The BS804B, BS806B and BS808B devices can however be woken up by either a One-key Wake-up using Key₀, or by Any-key Wake-up. The wake-up method is determined by the status of the OKW pin which is read only during power-on. The advantage of choosing the One-key wake-up option is that it consumes less power than the Any-key wake-up when in the Standby Mode.

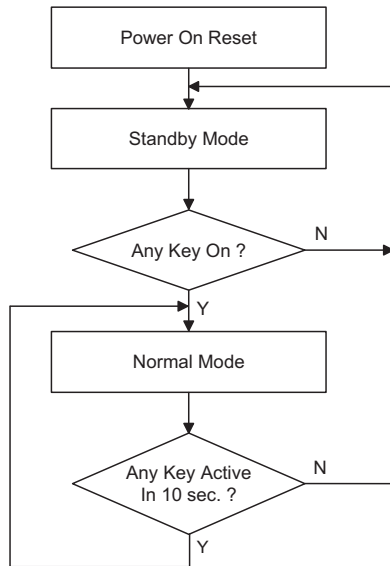
Part No.	OKW Open	OKW Low
BS804B BS806B BS808B	One-key Wake-up	Any-key Wake-up

The logic status of the OKW pin is read when the device powers up. The logic level on this pin must not be changed after power on. Internal circuitry ensures that the internal pull-high resistor on the OKW pin will not consume current.

Part No.	Normal Mode On Time
BS801B BS802B	Approx 10 sec
BS804B BS806B BS808B	Approx 20 secs



When in the Standby Mode, after a relevant Key wake-up detection has been made, the device will switch to the Normal Mode and await subsequent switch detections on all their Key pins. It will remain in the Normal Mode for about 10 seconds for the BS801B and BS802B devices and for about 20 seconds for the other devices and if no further detections are made during this time will return to the Standby Mode.



BS801B and BS802B Operating Flow

Touch Key Outputs

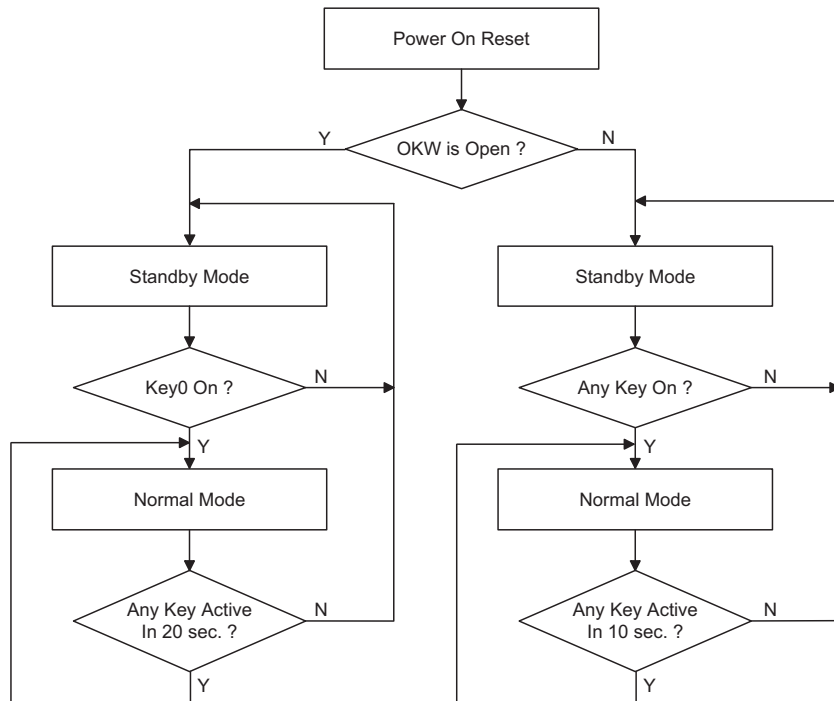
All Kout pins have NMOS structures to allow easy interfacing to external devices with different operating voltages. The BS801B, BS802 and BS804B devices can have their outputs configured to operate with either Level-Hold or Toggle type. The output type is determined by the status of the LHF pin which is read during power-on. The logic level on this pin must not be changed after power on. Internal circuitry ensures that the internal pull-high resistor on the LHF pin will not consume current. The BS806B and BS808B only have Level-Hold output types.

Part No.	LHF	Kout Type
BS801B	Open	Level-Hold
BS802B		
BS804B	Low	Toggle
BS806B	—	Level-Hold
BS808B		

Serial Interface – SCD

Both the BS804B and BS808B are equipped with a single line serial interface on the SCD pin, allowing for easy interfacing to an external MCU.

This single line interface allows communication in both directions between the touch key device and the external MCU. Using this interface, the external MCU can serially read the status of the touch keys at any time. The Serial interface also allows the external MCU to send commands to the touch key device. The serial interface al-



One-Key Wake-up

Any-Key Wake-up

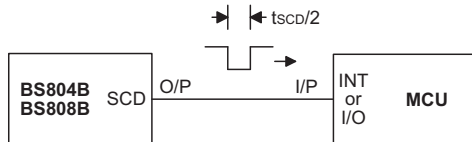
BS804B, BS806B and BS808B Operating Flow

lows three functions to be implemented, two are initiated by the external MCU and one by the BS80xB.

SCD Command	Direction
Wake-up or Interrupt MCU	BS804B/BS808B → MCU
Read Touch Key Status	Step1: MCU send command MCU → BS804B/BS808B Step2: MCU read key status BS804B/BS808B → MCU
Send command to BS804B/BS808B	MCU → BS804B/BS808B

SCD Function Summary

- BS804B/BS808B Wakes-up or Interrupts MCU
When any of the touch keys change state, a pulse will be generated by the BS804B/BS808B device which can be used to wake up or to interrupt an external MCU. The MCU must ensure that its pin connected to the SCD pin is setup as an input to receive this pulse. The pulse width generated by the device is equal to a $t_{SCD}/2$ period where t_{SCD} is about 76 μ s.



Wake-up/Interrupt Pulse to MCU

- MCU reads the touch key status
The MCU can send a command to the BS804B/BS808B device to request the touch key status. The protocol for reading the touch key status is as follows:
 - The external MCU takes control of the SCD line and first sends three rising edge pulses or more to the BS804B/BS808B within a time of about 152 μ s.
 - The MCU then changes its I/O pin to an input.
 - The BS804B/BS808B device will then pull the SCD line low, then high, the timings are given by synchronise period. This allows the MCU to synchronise itself for the data transfer.
 - The BS804B/BS808B device will then transmit its key status, given by D0~Dn
 - For the BS804B, the data format is D0~D3.
 - For the BS808B, the data format is D0~D7.
 - The MCU can then read the key status taking care to read the data in the centre of the transmitted data pulse.
 - After the last data bit is transferred the BS804B/BS808B device will return its SCD pin to an input state.

The timings associated with the above protocol can be described in multiples of the SCD clock periods. The SCD clock period is about 76 μ s.

A certain time is required for the MCU to transmit three or more pulses to inform the device that it desires to

read the key status. After this time has elapsed the device will then transmit the data bits, D0~Dn.

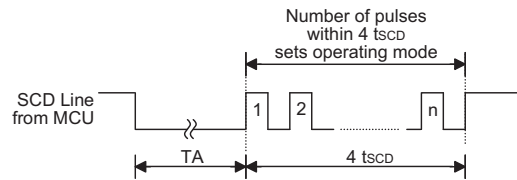
Device	Time
BS804B	22 t_{SCD}
BS808B	38 t_{SCD}

Key Status Read Total Time

Each bit of transmitted data corresponds directly to a touch input key. Therefore the status of touch key Key0 is represented by D0, Key1 by D1 and so on. A "low" bit means that a touch has been detected, a "high" bit means no touch has been detected.

Pin	Data Bit	Dn Value
Key0	D0	1: Key Off 0: Key On
Key1	D1	
:	:	
:	:	
Keyn	Dn	

- MCU sends commands to BS804B/BS808B device
The MCU can send commands along the SCD line to setup the device in different Operating Modes. To do this the externally connected MCU takes control of the SCD line, first forcing it low and holding it low for a time of greater than 8 t_{SCD} cycles. This action will temporarily disable the device and enable it to receive the command from the MCU. Any command sent to the device from the MCU will override the original power on configuration setup.

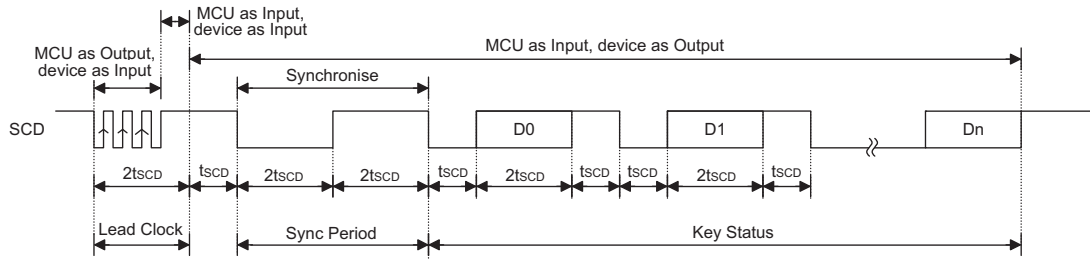


SCD Device Setup

The desired Operating Mode to be setup depends upon the number of pulses received by BS804B/BS808B within a time period, 4 t_{SCD} , as shown in the table. After the programming clock cycles have been transmitted and the SCD line returns high, the device will return to normal operation.

Clock Pulses	Operating Mode
0~2	Set by external pin
3~6	One-key wake-up
7~10	For test purposes
11~14	Any-Key wake-up
>15	Always normal operation

BS804B and BS808B SCD Commands



Device	Touch Switch Data Length	Data Format
BS804B	4 bits	D0~D3
BS808B	8 bits	D0~D7

SCD Pin Touch Key Status Request

Note that the MCU must transmit these pulses within $4 t_{SCD}$.

Maximum Key On Duration Time

To minimise the possibility of unintentional switch detections, such as undesired objects covering the sense electrodes, the devices include a Maximum Key-On duration time function. To implement this function the devices include an internal timer, which starts running after each switch detection. If the key on time of a touch key exceeds a value of about 40 seconds, then the device will be reset to its power-on condition and initiate a new auto calibration. The output will then remain inactive until the next switch detection.

Auto-calibration Function

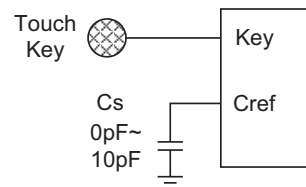
The devices include a full auto-calibration function which will be initiated after the device is powered-on. In addition to the power-on calibration, if no switch detection has been made for more than about 2.5 seconds then a further calibration procedure will be carried out. The calibration is applied independently to each channel on the devices. By implementing this feature, changes in the touch key environmental conditions are automatically catered for dynamically.

Sensitivity Adjustment

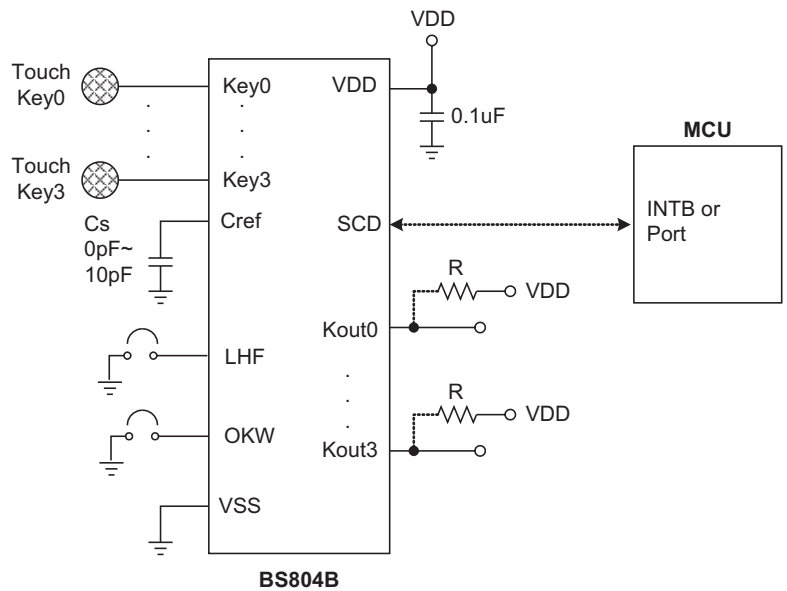
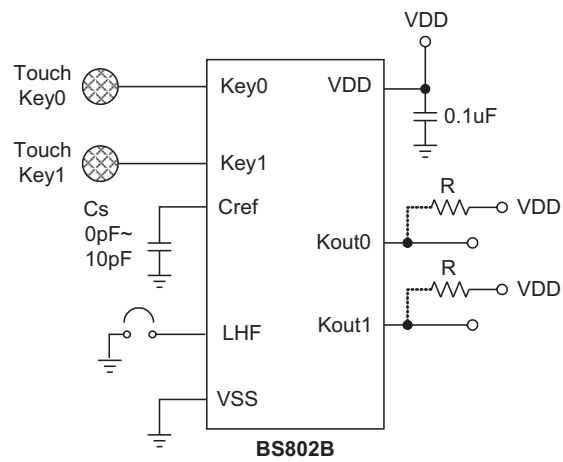
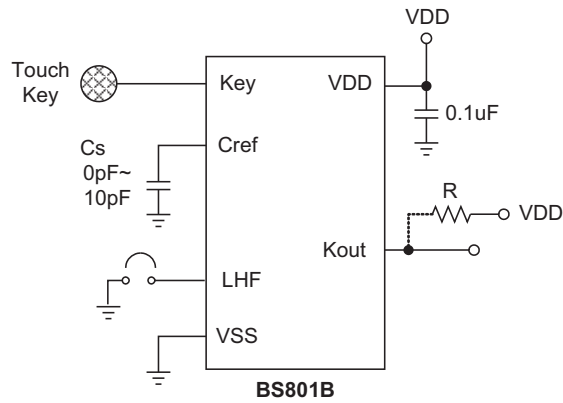
The sensitivity of the switch is a very important consideration in most applications whose requirements will vary according to the user application. The user should therefore be aware of the factors which will affect the overall sensitivity of their touch key application. Factors to take into consideration include the electrode size and the capacitance of the connection lines from the electrode to the BS80xB device. Therefore the sensitivity will vary according to the actual PCB layout and design.

An external capacitor, C_s , connected to the C_{ref} pin, is used to set the overall sensitivity of all pins. Some of the most important factors affecting sensitivity are the following:

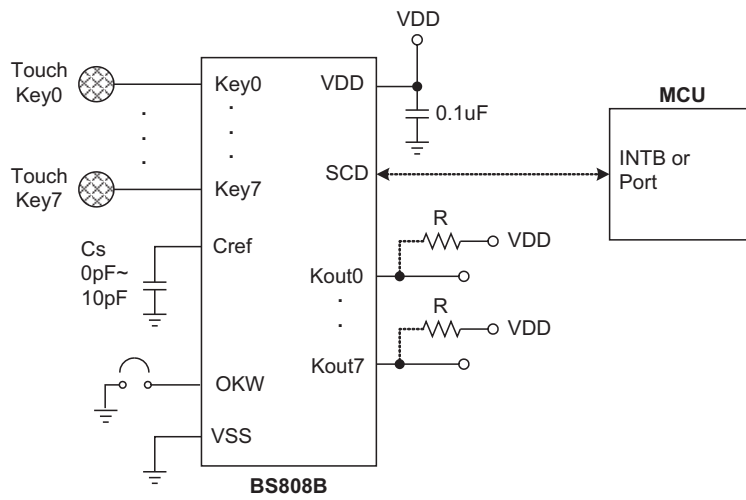
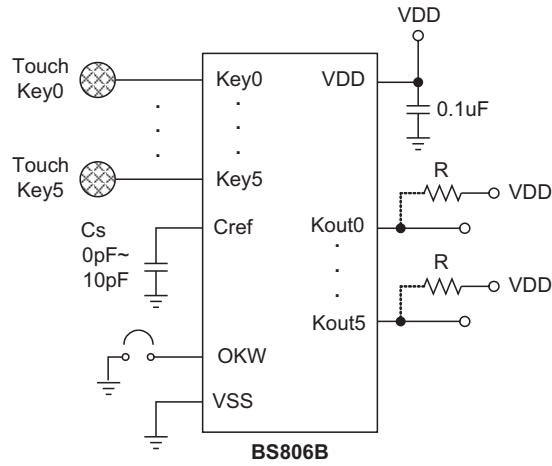
- **C_{ref} capacitor value - C_s**
The purpose of the C_s capacitor is to allow for adjustment of touch key sensitivity and power noise rejection. The optimal choice of sensitivity and power noise rejection will be obtained when the value of the C_s capacitor is equivalent to the touch pad capacitance, however the value can still be changed to obtain the required sensitivity value. Higher C_s values will result in higher levels of sensitivity. Recommended values for C_s are between 0pF and 10pF.
- **Touch key pad size**
Larger touch key sizes will increase sensitivity and of course vice-versa, small electrode sizes will decrease sensitivity.
- **Touch key pad insulating panel thickness**
A thinner panel will result in higher sensitivity and of course thicker panels will result in a lower sensitivities.
- **Touch key pad insulating panel material**
The choice of the dielectric material for the panel will influence the sensitivity. Materials with higher dielectric constants will result in higher sensitivities and lower dielectric constants will result in lower sensitivities.



Application Circuit



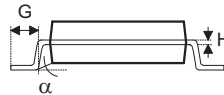
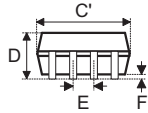
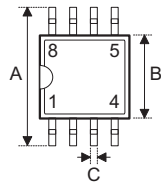
Note: If the output is connected to an MCU input with an internal pull high resistor then the pull high resistor on the application circuit is not required.



Note: If the output is connected to an MCU input with an internal pull high resistor then the pull high resistor on the application circuit is not required.

Package Information

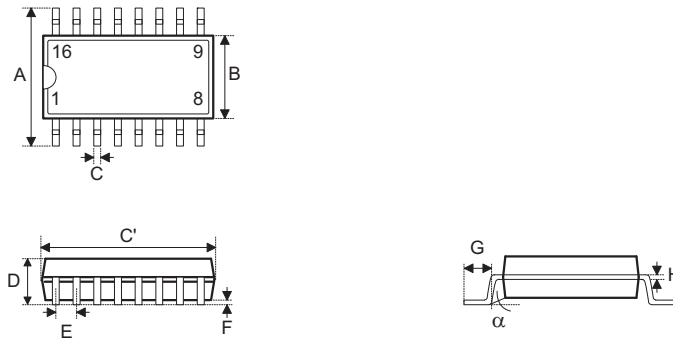
8-pin SOP (150mil) Outline Dimensions



• MS-012

Symbol	Dimensions in mil		
	Min.	Nom.	Max.
A	228	—	244
B	150	—	157
C	12	—	20
C'	188	—	197
D	—	—	69
E	—	50	—
F	4	—	10
G	16	—	50
H	7	—	10
α	0°	—	8°

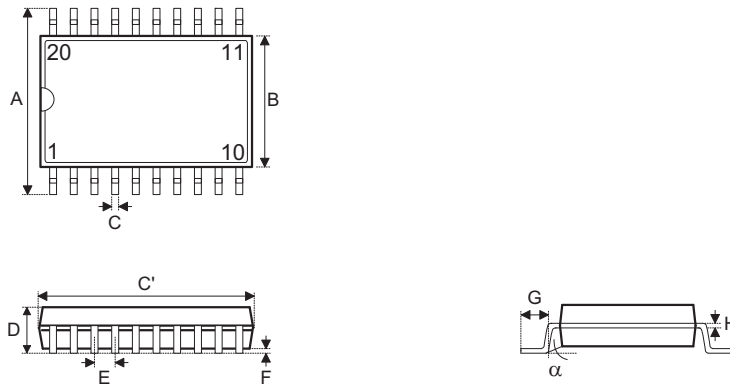
16-pin NSOP (150mil) Outline Dimensions



• MS-012

Symbol	Dimensions in mil		
	Min.	Nom.	Max.
A	228	—	244
B	150	—	157
C	12	—	20
C'	386	—	394
D	—	—	69
E	—	50	—
F	4	—	10
G	16	—	50
H	7	—	10
α	0°	—	8°

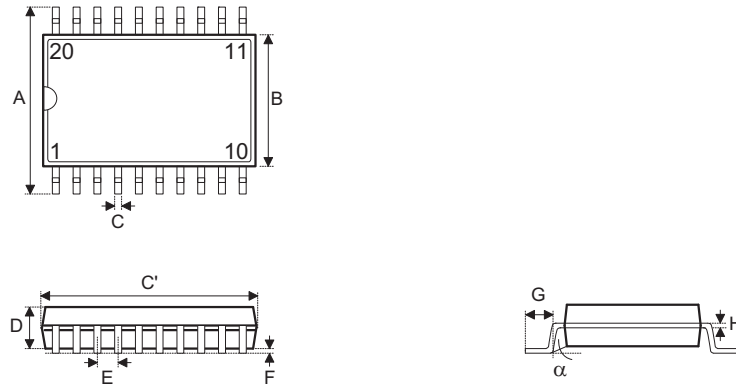
20-pin SOP (300mil) Outline Dimensions



• MS-013

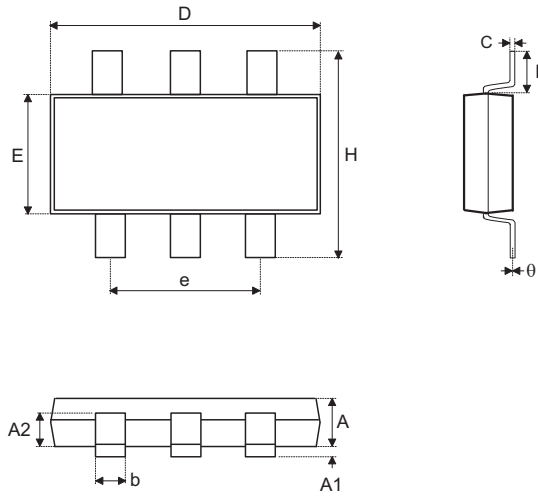
Symbol	Dimensions in mil		
	Min.	Nom.	Max.
A	393	—	419
B	256	—	300
C	12	—	20
C'	496	—	512
D	—	—	104
E	—	50	—
F	4	—	12
G	16	—	50
H	8	—	13
α	0°	—	8°

20-pin SSOP (150mil) Outline Dimensions

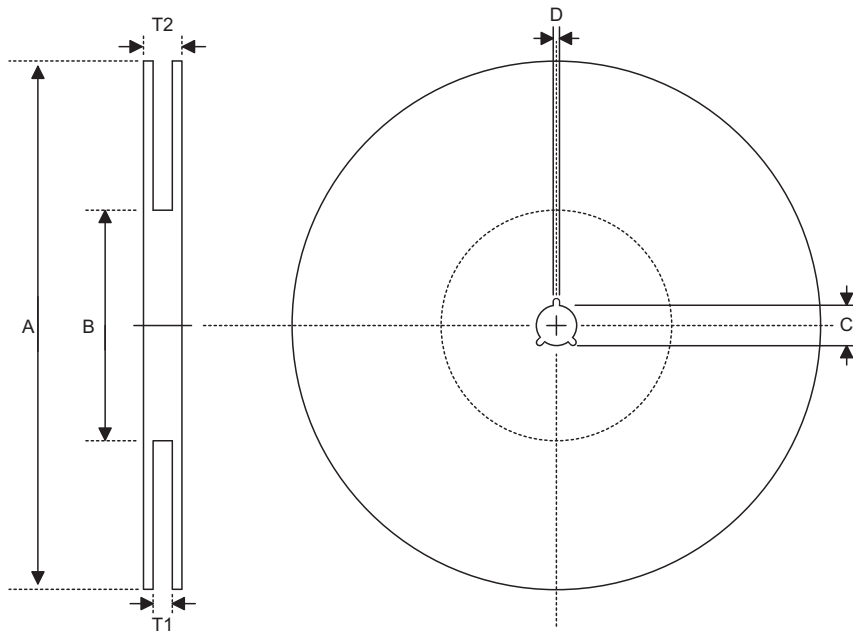


Symbol	Dimensions in mil		
	Min.	Nom.	Max.
A	228	—	244
B	150	—	158
C	8	—	12
C'	335	—	347
D	49	—	65
E	—	25	—
F	4	—	10
G	15	—	50
H	7	—	10
α	0°	—	8°

6-pin SOT23-6 Outline Dimensions



Symbol	Dimensions in mm		
	Min.	Nom.	Max.
A	1.0	—	1.3
A1	—	—	0.1
A2	0.7	—	0.9
b	0.35	—	0.50
C	0.1	—	0.25
D	2.7	—	3.1
E	1.4	—	1.8
e	—	1.9	—
H	2.6	—	3.0
L	0.37	—	—
θ	1°	—	9°

Product Tape and Reel Specifications
Reel Dimensions

SOP 8N

Symbol	Description	Dimensions in mm
A	Reel Outer Diameter	330.0±1.0
B	Reel Inner Diameter	100.0±1.5
C	Spindle Hole Diameter	13.0 ^{+0.5/-0.2}
D	Key Slit Width	2.0±0.5
T1	Space Between Flange	12.8 ^{+0.3/-0.2}
T2	Reel Thickness	18.2±0.2

SOP 16N (150mil)

Symbol	Description	Dimensions in mm
A	Reel Outer Diameter	330.0±1.0
B	Reel Inner Diameter	100.0±1.5
C	Spindle Hole Diameter	13.0 ^{+0.5/-0.2}
D	Key Slit Width	2.0±0.5
T1	Space Between Flange	16.8 ^{+0.3/-0.2}
T2	Reel Thickness	22.2±0.2

SOP 20W

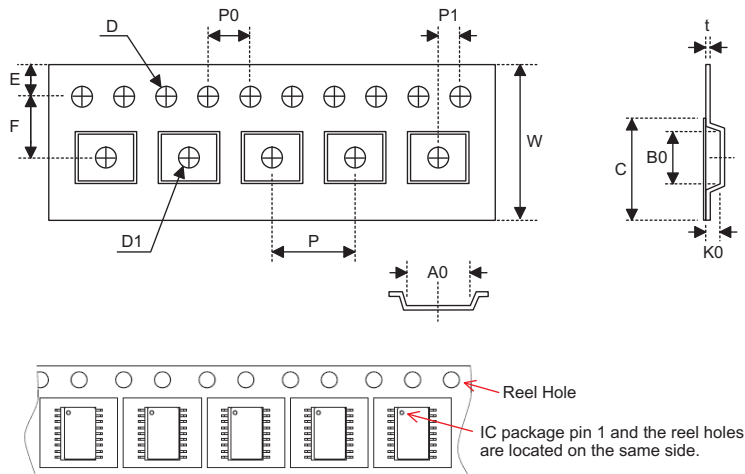
Symbol	Description	Dimensions in mm
A	Reel Outer Diameter	330.0±1.0
B	Reel Inner Diameter	100.0±1.5
C	Spindle Hole Diameter	13.0 ^{+0.5/-0.2}
D	Key Slit Width	2.0±0.5
T1	Space Between Flange	24.8 ^{+0.3/-0.2}
T2	Reel Thickness	30.2±0.2

SSOP 20S (150mil)

Symbol	Description	Dimensions in mm
A	Reel Outer Diameter	330.0±1.0
B	Reel Inner Diameter	100.0±1.5
C	Spindle Hole Diameter	13.0 ^{+0.5/-0.2}
D	Key Slit Width	2.0±0.5
T1	Space Between Flange	16.8 ^{+0.3/-0.2}
T2	Reel Thickness	22.2±0.2

SOT23-6

Symbol	Description	Dimensions in mm
A	Reel Outer Diameter	178.0±1.0
B	Reel Inner Diameter	62.0±1.0
C	Spindle Hole Diameter	13.0±0.2
D	Key Slit Width	2.50±0.25
T1	Space Between Flange	8.4 ^{+1.5/-0.0}
T2	Reel Thickness	11.4 ^{+1.5/-0.0}

Carrier Tape Dimensions

SOP 8N

Symbol	Description	Dimensions in mm
W	Carrier Tape Width	12.0 ^{+0.3/-0.1}
P	Cavity Pitch	8.0±0.1
E	Perforation Position	1.75±0.1
F	Cavity to Perforation (Width Direction)	5.5±0.1
D	Perforation Diameter	1.55±0.1
D1	Cavity Hole Diameter	1.50 ^{+0.25/-0.00}
P0	Perforation Pitch	4.0±0.1
P1	Cavity to Perforation (Length Direction)	2.0±0.1
A0	Cavity Length	6.4±0.1
B0	Cavity Width	5.2±0.1
K0	Cavity Depth	2.1±0.1
t	Carrier Tape Thickness	0.30±0.05
C	Cover Tape Width	9.3±0.1

SOP 16N (150mil)

Symbol	Description	Dimensions in mm
W	Carrier Tape Width	16.0±0.3
P	Cavity Pitch	8.0±0.1
E	Perforation Position	1.75±0.1
F	Cavity to Perforation (Width Direction)	7.5±0.1
D	Perforation Diameter	1.55 ^{+0.10/-0.00}
D1	Cavity Hole Diameter	1.50 ^{+0.25/-0.00}
P0	Perforation Pitch	4.0±0.1
P1	Cavity to Perforation (Length Direction)	2.0±0.1
A0	Cavity Length	6.5±0.1
B0	Cavity Width	10.3±0.1
K0	Cavity Depth	2.1±0.1
t	Carrier Tape Thickness	0.30±0.05
C	Cover Tape Width	13.3±0.1

SOP 20W

Symbol	Description	Dimensions in mm
W	Carrier Tape Width	24.0 ^{+0.3/-0.1}
P	Cavity Pitch	12.0±0.1
E	Perforation Position	1.75±0.10
F	Cavity to Perforation (Width Direction)	11.5±0.1
D	Perforation Diameter	1.5 ^{+0.1/-0.0}
D1	Cavity Hole Diameter	1.50 ^{+0.25/-0.00}
P0	Perforation Pitch	4.0±0.1
P1	Cavity to Perforation (Length Direction)	2.0±0.1
A0	Cavity Length	10.8±0.1
B0	Cavity Width	13.3±0.1
K0	Cavity Depth	3.2±0.1
t	Carrier Tape Thickness	0.30±0.05
C	Cover Tape Width	21.3±0.1

SSOP 20S (150mil)

Symbol	Description	Dimensions in mm
W	Carrier Tape Width	16.0 ^{+0.3/-0.1}
P	Cavity Pitch	8.0±0.1
E	Perforation Position	1.75±0.10
F	Cavity to Perforation (Width Direction)	7.5±0.1
D	Perforation Diameter	1.5 ^{+0.1/-0.0}
D1	Cavity Hole Diameter	1.50 ^{+0.25/-0.00}
P0	Perforation Pitch	4.0±0.1
P1	Cavity to Perforation (Length Direction)	2.0±0.1
A0	Cavity Length	6.5±0.1
B0	Cavity Width	9.0±0.1
K0	Cavity Depth	2.3±0.1
t	Carrier Tape Thickness	0.30±0.05
C	Cover Tape Width	13.3±0.1

SOT23-6

Symbol	Description	Dimensions in mm
W	Carrier Tape Width	8.0±0.3
P	Cavity Pitch	4.0±0.1
E	Perforation Position	1.75±0.10
F	Cavity to Perforation (Width Direction)	3.50±0.05
D	Perforation Diameter	1.5 ^{+0.1/-0.0}
D1	Cavity Hole Diameter	1.5 ^{+0.1/-0.0}
P0	Perforation Pitch	4.0±0.1
P1	Cavity to Perforation (Length Direction)	2.00±0.05
A0	Cavity Length	3.15±0.10
B0	Cavity Width	3.2±0.1
K0	Cavity Depth	1.4±0.1
t	Carrier Tape Thickness	0.20±0.03
C	Cover Tape Width	5.3±0.1

Holtek Semiconductor Inc. (Headquarters)

No.3, Creation Rd. II, Science Park, Hsinchu, Taiwan
Tel: 886-3-563-1999
Fax: 886-3-563-1189
<http://www.holtek.com.tw>

Holtek Semiconductor Inc. (Taipei Sales Office)

4F-2, No. 3-2, YuanQu St., Nankang Software Park, Taipei 115, Taiwan
Tel: 886-2-2655-7070
Fax: 886-2-2655-7373
Fax: 886-2-2655-7383 (International sales hotline)

Holtek Semiconductor Inc. (Shenzhen Sales Office)

5F, Unit A, Productivity Building, No.5 Gaoxin M 2nd Road, Nanshan District, Shenzhen, China 518057
Tel: 86-755-8616-9908, 86-755-8616-9308
Fax: 86-755-8616-9722

Holtek Semiconductor (USA), Inc. (North America Sales Office)

46729 Fremont Blvd., Fremont, CA 94538, USA
Tel: 1-510-252-9880
Fax: 1-510-252-9885
<http://www.holtek.com>

Copyright © 2009 by HOLTEK SEMICONDUCTOR INC.

The information appearing in this Data Sheet is believed to be accurate at the time of publication. However, Holtek assumes no responsibility arising from the use of the specifications described. The applications mentioned herein are used solely for the purpose of illustration and Holtek makes no warranty or representation that such applications will be suitable without further modification, nor recommends the use of its products for application that may present a risk to human life due to malfunction or otherwise. Holtek's products are not authorized for use as critical components in life support devices or systems. Holtek reserves the right to alter its products without prior notification. For the most up-to-date information, please visit our web site at <http://www.holtek.com.tw>.